

Архангельск (8182)63-90-72  
Астана (7172)727-132  
Астрахань (8512)99-46-04  
Барнаул (3852)73-04-60  
Белгород (4722)40-23-64  
Брянск (4832)59-03-52  
Владивосток (423)249-28-31  
Волгоград (844)278-03-48  
Вологда (8172)26-41-59  
Воронеж (473)204-51-73  
Екатеринбург (343)384-55-89  
Иваново (4932)77-34-06

Ижевск (3412)26-03-58  
Иркутск (395)279-98-46  
Казань (843)206-01-48  
Калининград (4012)72-03-81  
Калуга (4842)92-23-67  
Кемерово (3842)65-04-62  
Киров (8332)68-02-04  
Краснодар (861)203-40-90  
Красноярск (391)204-63-61  
Курск (4712)77-13-04  
Липецк (4742)52-20-81  
Киргизия (996)312-96-26-47

Магнитогорск (3519)55-03-13  
Москва (495)268-04-70  
Мурманск (8152)59-64-93  
Набережные Челны (8552)20-53-41  
Нижний Новгород (831)429-08-12  
Новокузнецк (3843)20-46-81  
Новосибирск (383)227-86-73  
Омск (3812)21-46-40  
Орел (4862)44-53-42  
Оренбург (3532)37-68-04  
Пенза (8412)22-31-16  
Россия (495)268-04-70

Пермь (342)205-81-47  
Ростов-на-Дону (863)308-18-15  
Рязань (4912)46-61-64  
Самара (846)206-03-16  
Санкт-Петербург (812)309-46-40  
Саратов (845)249-38-78  
Севастополь (8692)22-31-93  
Симферополь (3652)67-13-56  
Смоленск (4812)29-41-54  
Сочи (862)225-72-31  
Ставрополь (8652)20-65-13  
Казахстан (772)734-952-31

Сургут (3462)77-98-35  
Тверь (4822)63-31-35  
Томск (3822)98-41-53  
Тула (4872)74-02-29  
Тюмень (3452)66-21-18  
Ульяновск (8422)24-23-59  
Уфа (347)229-48-12  
Хабаровск (4212)92-98-04  
Челябинск (351)202-03-61  
Череповец (8202)49-02-64  
Ярославль (4852)69-52-93

<https://omer.nt-rt.ru> || [orw@nt-rt.ru](mailto:orw@nt-rt.ru)

## AUTOMOTIVE AND LIGHT TRUCK GENERAL SERVICE

DESIGNED AND BUILT IN ITALY, AND USED BY THE WORLD'S PREMIUM CAR MANUFACTURERS.

# MID-RISE SCISSOR MINI 30

### 6,600 LB. / 3.0T CAPACITY

COMPACT DESIGN IDEAL FOR TIRES, BRAKES,  
BODY REPAIR, & FAST LUBE

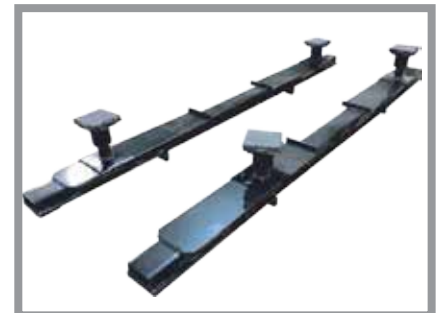


#### FEATURES



▲  
Air Release Mechanical Locking

#### OPTIONAL



▲  
Light Truck Frame Adapter

# MID-RISE SCISSOR MINI 30

## 6,600 LB. / 3.0T CAPACITY

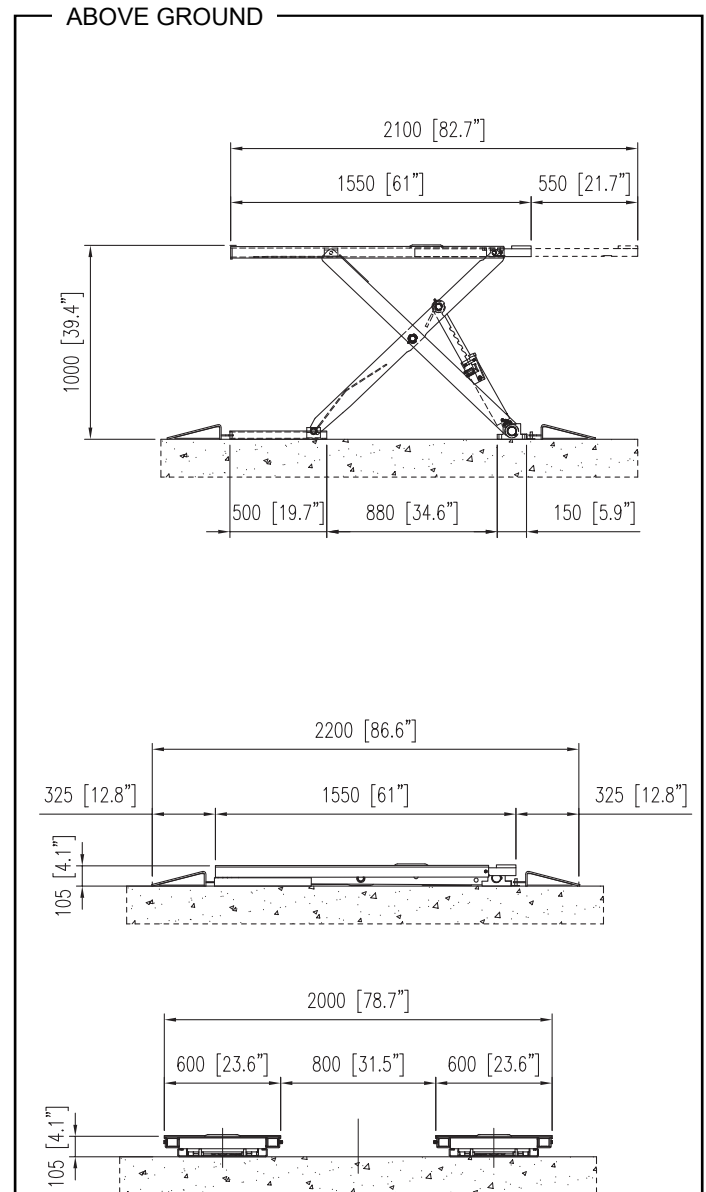
AT OMER USA, OUR GOAL IS TO BUILD LIFTS THAT LAST LONGER, PERFORM BETTER, AND COST LESS TO OPERATE

SPECIFICATIONS	
Capacity	6,600 lb. / 3000 kg
Power Supply	220V 60hz 1 ph 23 amp 2HP/ 1.5 kw
Operating Noise Level	<80 db
Lifting Time	20 secs. raised/ 20 secs. lowered
Overall Width	78-3/4" / 2000mm
Overall Length	86-1/2" / 2200mm
Drive-Over Height	4-1/8" / 105mm
Overall Lifting Height	39-3/8" / 1000mm (42" / 1066mm with adapters)
# of Mechanical Locks	5
Lock Release	Air-cylinder lock release
Finish	Double-bake coat
Height Adapters	2" / 50 mm Rubber covered blocks
Lifting Pad Dimensions	61" to 82-1/2" Extended x 23-1/2" wide / 1550 to 2100mm Extended x 597mm wide
Equalization	Master / Slave System
Available In Flush-Mount	Yes
Pull-Out Deck Extension	Yes
Optional Light Truck Frame Adapter	Yes
Shipping Weight	1540 lb. / 700kg
Country Of Manufacture	Italy
Approvals UL/CSA/CE	Yes

### FEATURES

- Compact design - rugged construction - Small foot print takes up less bay space while still allowing best-in-class weight capacity. Only 78 3/4" / 2000mm wide x 86 1/2" / 2200mm long.
- Versatility and ease of use - Ideal for small, compact cars up to light duty trucks, with pull out extensions allowing for ease-of-use on short or long wheelbase vehicles. No tie bar or floor obstruction.
- Built for safety - 5 locking positions ensure side to side stability and eliminates accidental lowering of the lift. Single-point air cylinder lock release.
- Unobstructed access - Open front and rear construction with no tie bars or torsion rods allows for unobstructed access to the underside of most vehicles, with 27" / 686mm to 38" / 965mm of working area between the superstructures.

### EQUIPMENT FOOTPRINT



Архангельск (8182)63-90-72  
Астана (7172)727-132  
Астрахань (8512)99-46-04  
Барнаул (3852)73-04-60  
Белгород (4722)40-23-64  
Брянск (4832)59-03-52  
Владивосток (423)249-28-31  
Волгоград (844)278-03-48  
Вологда (8172)26-41-59  
Воронеж (473)204-51-73  
Екатеринбург (343)384-55-89  
Иваново (4932)77-34-06

Ижевск (3412)26-03-58  
Иркутск (395)279-98-46  
Казань (843)206-01-48  
Калининград (4012)72-03-81  
Калуга (4842)92-23-67  
Кемерово (3842)65-04-62  
Киров (8332)68-02-04  
Краснодар (861)203-40-90  
Красноярск (391)204-63-61  
Курск (4712)77-13-04  
Липецк (4742)52-20-81

Киргизия (996)312-96-26-47

Магнитогорск (3519)55-03-13  
Москва (495)268-04-70  
Мурманск (8152)59-64-93  
Набережные Челны (8552)20-53-41  
Нижний Новгород (831)429-08-12  
Новокузнецк (3843)20-46-81  
Новосибирск (383)227-86-73  
Омск (3812)21-46-40  
Орел (4862)44-53-42  
Оренбург (3532)37-68-04  
Пенза (8412)22-31-16

Россия (495)268-04-70

Пермь (342)205-81-47  
Ростов-на-Дону (863)308-18-15  
Рязань (4912)46-61-64  
Самара (846)206-03-16  
Санкт-Петербург (812)309-46-40  
Саратов (845)249-38-78  
Севастополь (8692)22-31-93  
Симферополь (3652)67-13-56  
Смоленск (4812)29-41-54  
Сочи (862)225-72-31  
Ставрополь (8652)20-65-13

Казахстан (772)734-952-31

Сургут (3462)77-98-35  
Тверь (4822)63-31-35  
Томск (3822)98-41-53  
Тула (4872)74-02-29  
Тюмень (3452)66-21-18  
Ульяновск (8422)24-23-59  
Уфа (347)229-48-12  
Хабаровск (4212)92-98-04  
Челябинск (351)202-03-61  
Череповец (8202)49-02-64  
Ярославль (4852)69-52-93